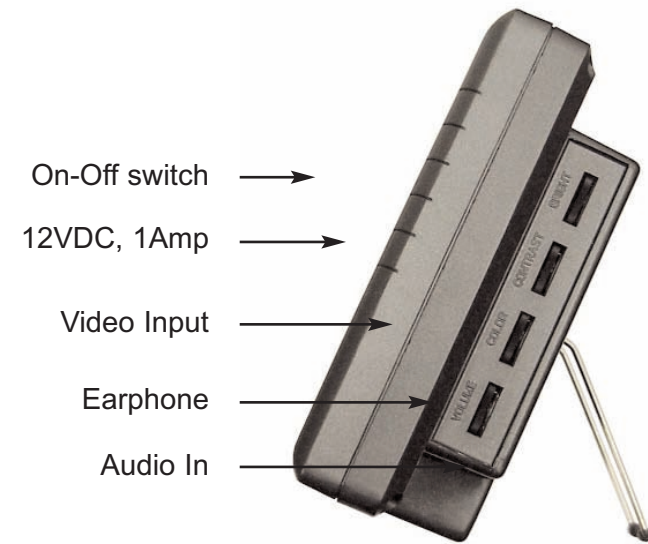


III. Operation

1. Power:

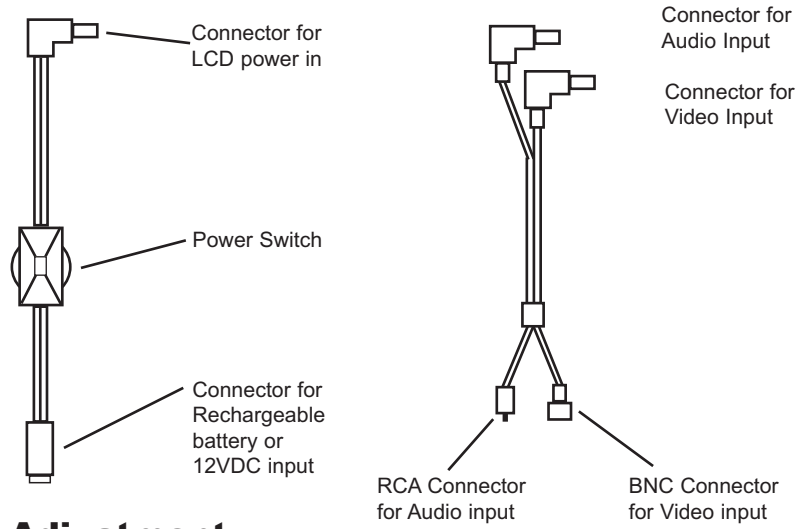


2. Viewing Angle:

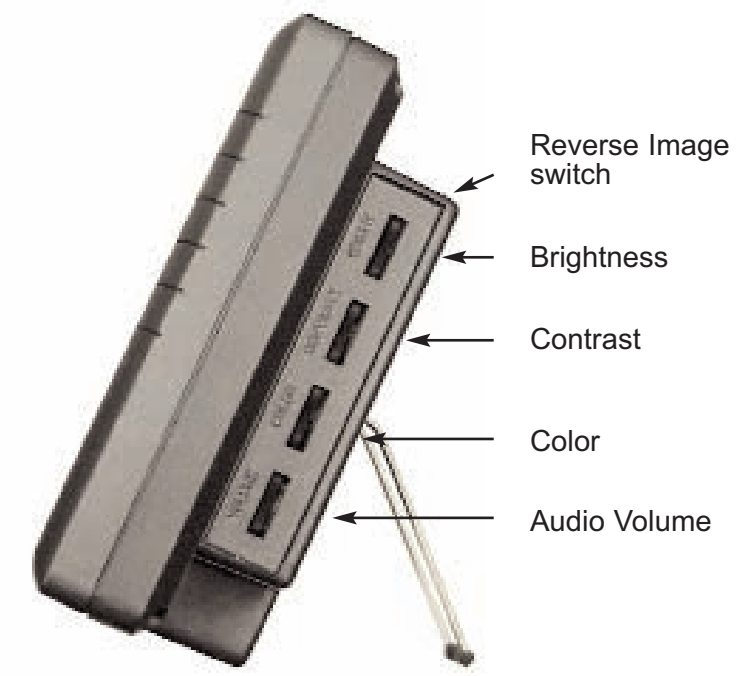
The ideal viewing angle is within the following range:

Upper angle:	30°
Lower angle:	10°
Left angle:	45°
Right angle:	45°

3. Connection:



IV. Adjustment



COLOR 5.6 INCH TFT PANEL WITH AUDIO

V-LCD5.6-PRO

VIDEO WITH STEREO AUDIO INPUT
COLOR 5.6 INCH TFT PANEL WITH
CLEAR DEFINITION



USER'S MANUAL

I. Safety Warning

1. To prevent fire or shock hazard, do not expose this equipment to high humidity and dust. Do not use it in an unprotected outdoor installation or any area that is wet.
2. The temperature for installation should be kept between -10°C - +55°C. Avoid direct sunlight or extreme changes in temperature.
3. For safety sake, do not disseminate the unit or put on an unstable base. Do not drop it and avoid heavy impact.
4. Ventilation: Openings in the enclosure are provided for ventilation and to ensure reliable operation of the unit and to protect it from overheating. These openings must not be blocked or covered. *This unit should not be placed in a built-in installation unless proper ventilation is provided.*
5. Cleaning: Unplug the unit from the outlet before cleaning. Do not use liquid Cleaners or aerosol cleaners. Use a damp cloth to clean it.
6. Overload: Do not overload outlets and extension cords as this may result in a risk of fire or electric shock.
7. Objects and Liquid Entry: Never push objects of any kind into this unit through openings as they may touch dangerous voltage points or short-out parts that could result in a fire or electric shock. Never spill liquid of any kind on the unit.
8. Service: Do not attempt to service this unit yourself as opening or removing covers may expose you to high voltage or other hazards. Refer all servicing to qualified service personnel.