

# Marshall Electronics

## V-IO14-12G

1x4 Distribution Amplifier  
with 12G-SDI compatibility



Operating Instructions

# Installation and Initial Setup

## ■ Unpacking

Carefully unpack the V-IO DISTRIBUTION AMPLIFIER and verify that the following items are included:

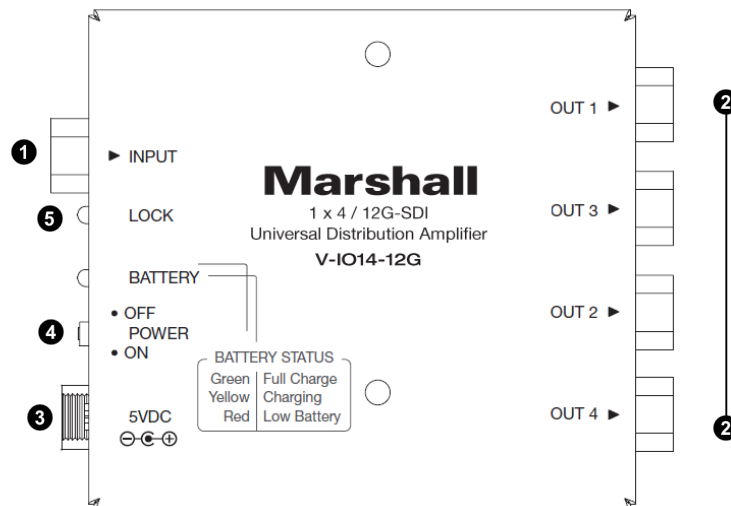
- V-IO DISTRIBUTION AMPLIFIER
- V-PA5V-2.0A-L
- Operating Instructions

Inspect the unit for any physical damage that may have occurred during shipping. Should there be any damage, immediately contact Marshall Electronics at (800) 800-6608. If you are not located within the continental United States, call +1 (310) 333-0606.

## ■ Connections, Power-On and Initial Setup

Plug the power supply into an AC power source (100-240 V @ 50/60 Hz). Attach the Power connector to the Distribution Amplifier. Connect the required cables for video signal input and output (Power must be applied to the V-IO DISTRIBUTION AMPLIFIER for the device to function if the internal battery has not been fully charged). Video will automatically be detected and passed through the device.

# Input / Output Connections



### ❶ Input

Distribution amplifier's signal input. Please see the Supported Formats section for a list of formats that are suitable for signal distribution.

### ❷ Out [Outputs]

Distribution amplifier's output.

### ❸ Power Input

Power input for the V-IO distribution amplifier. Use the DC power supply provided, or another device with the same voltage, current and polarity listed on the device. When the power supply provides 5VDC, the internal battery will charge and the BATTERY LED will turn **green**. When fully charged, the distribution amplifier will run only on the external power supply. The internal battery allows the distribution amplifier to run without a connection to an

external power supply for approximately ~ 3-5 hours.

When running from the battery, the BATTERY LED will turn **orange** when the battery is at less than 75% capacity, and **red** when under 10% capacity.

### ❹ Power Switch

Turning the Power switch to ON turns on the internal SDI distribution system and charges the internal battery.

When the switch is turned to OFF, ONLY the battery will charge. The device will direct all available power to charging the battery in the OFF state.

### ❺ [Signal] LOCK indicator

Use the LOCK indicator to determine if the V-IO distribution amplifier has locked on to the input signal for distribution. The LED light will turn **blue** if a signal is locked AND the POWER switch is turned to ON.

# Compatible Input Formats

The following video standards are supported by the V-IO DISTRIBUTION AMPLIFIER:

## SD and HD-SDI Inputs

525i, 625i/50

720p/29.97, 30, 50, 59.94, 60

1080p/23.98, 23.98sF, 24, 24sF, 25, 29.97, 30

1035i/59.94, 60

1080i/ 50, 59.94, 60

## 3G-SDI Inputs

*YCbCr, YCbCr+A, RGB, RGB+A*

1080p/ 60, 59.94, 50

1080p/ 30, 29.97, 25, 24, 23.98, 30sF, 29.97sF, 25sF, 24sF,

23.98sF

1080i/ 60, 59.94, 50

## 12G-SDI Inputs

2160 50, 59.94, 60 p

# Product Specifications

## ■CONNECTORS (Per Unit)

### Video Input

12G-SDI 1 x BNC Female (75 Ω)

### Video Output (Active Output)

12G-SDI 4 x BNC Female (75 Ω)

## ■ELECTRICAL

Power Consumption < 1 Amp @ 5VDC

5VDC



## ■Operating Temperature

Operating Temperature 32°F to 104°F (0°C to 40°C)

Storage Temperature -4°F to 120°F (-20°C to 50°C)

# Warranty

Marshall Electronics warranties to the first consumer that this V-IO DISTRIBUTION AMPLIFIER will, under normal use, be free from defects in workmanship and materials, when received in its original container, for a period of one year from the purchase date. This warranty is extended to the first consumer only, and proof of purchase is necessary to honor the warranty. If there is no proof of purchase provided with a warranty claim, Marshall Electronics reserves the right not to honor the warranty set forth above. Therefore, labor and parts may be charged to the consumer. This warranty does not apply to the product exterior or cosmetics. Misuse, abnormal handling, alterations or modifications in design or construction void this warranty. No sales personnel of the seller or any other person is authorized to make any warranties other than those described above, or to extend the duration of any warranties on behalf of Marshall Electronics, beyond the time period described above. Due to constant effort to improve products and product features, specifications may change without notice.

**Marshall Electronics, Inc.**

1910 East Maple Ave.  
El Segundo, CA 90245

Tel: (800) 800-6608 / (310) 333-0606 • Fax: 310-333-0688

[www.LCDRacks.com](http://www.LCDRacks.com) • [sales@lcracks.com](mailto:sales@lcracks.com)