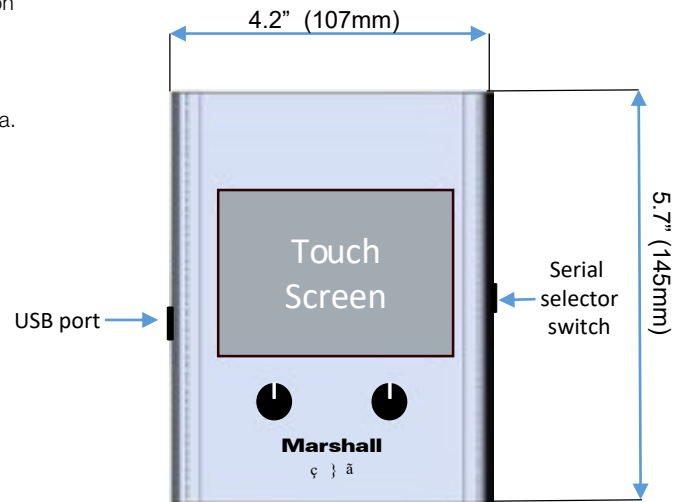


## Touchscreen RCP Camera Control

### 1. Operating Instructions

- 1) Plug into 12V power supply contained in box or other 9-26V power source (1.0 Amp Max)
- 2) Obtain a standard 3 Pin XLR cable and connect +/- to appropriate camera phoenix connector, as illustrated below (ground not used on RS485)
- 3) If RCP does not connect and communicate with camera; switch the +/- wires on camera side and check Camera ID# assigned in Camera OSD Menu under MENU > DISPLAY CONTROL > CAM ID (#).
- 4) On RCP touchscreen hold down Camera ID# 1 (upper left on touchscreen), on sub-menu select **CAMERA MODEL** and **Camera ID#** to control that camera.
- 5) Make Sure to set each Camera with appropriate **Camera ID#** to match RCP unit or all to one **Camera ID#** for Global (all camera) adjustments.
- 6) Repeat Step 4/5 to add more cameras, but hold down position **2, 3, 4, 5, 6, 7** to correspond to camera **ID#** in group (up to 7 per RCP).
- 7) Use touch screen & dials for command adjustments or pull up OSD Menu by going to **Adv** Menu and push **On Screen Menu**.
- 8) Push "?" for further explanation of buttons or additional information.
- 9) Call 800-800-6608 for additional help and questions



### 2. Specifications

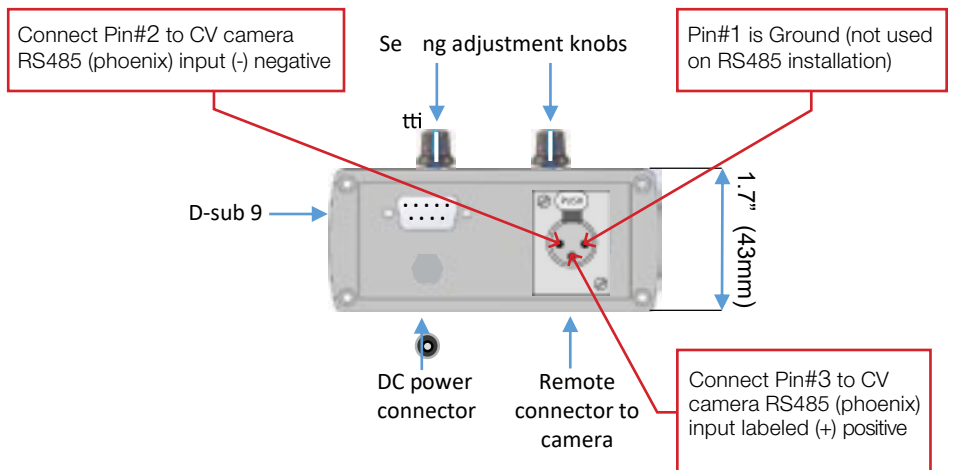
- Power:** 9 V DC - 26 V DC, 1.0 A (Max.)  
**Operating Temp:** -4 °F to 158 °F (-20 °C to 70 °C)  
**Weight:**

### 3. Dimensions

(W x H x D, excluding projections)  
 4.2" x 5.7" x 1.7" (107mm x 145mm x 43mm)

### 4. Inputs / Outputs

- Remote:** 3-pin XLR Female  
**AUX:** D-sub 9 (future accessories)  
**USB:** For firmware updates  
**DC Input:** 2.1 mm coaxial power connector



### 5. Serial I/O

#### RS-485 Mode

- Slide switch under cap on right side to RS-485 position
- XLR pin 2 - RS-485A
- XLR pin 3 - RS-485B

#### RS-232 Mode

- Slide switch under cap on right side to RS-232 position
- XLR pin 1 - Ground
- XLR pin 2 - Tx
- XLR pin 3 - Rx