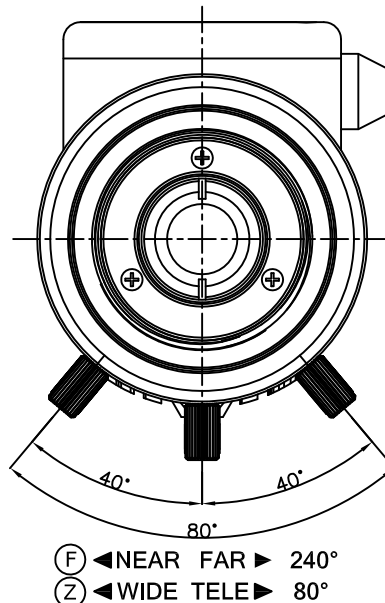
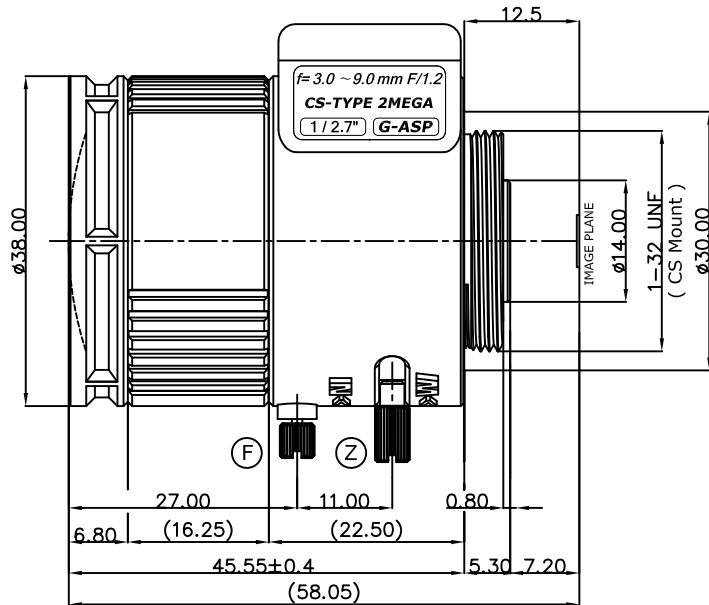
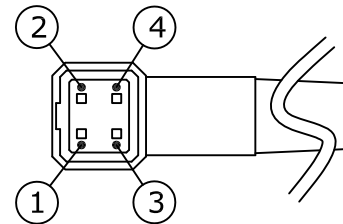


VARIFOCAL 3.0 ~ 9.0 mm MEGAPIXEL LENS (CS - MOUNT TYPE)



1. SENSING AREA : 1/2.7"CMOS(OV2715) & 1/3"CCD
2. FOCAL LENGTH : 3.0 ~ 9.0MM ± 5%
3. BACK FOCAL LENGTH : 8.15 ~ 15.04MM ± 5% (IN AIR)
4. MAXIMUM RELATIVE APERTURE : 1.2 ~ ∞
5. IRIS : 4PIN Plug DC IRIS
6. LENS CONSTRUCTION : 8 COMPONENTS 8 ELEMENTS
(1 ASP GLASS + 7 GLASS)
- 7-1. ANGULAR FIELD OF VIEW : 1/2.7"CMOS(OV2715)
DIAGONAL : 153.8°± 5% ~ 45.2°± 5%
HORIZONTAL : 125.2°± 5% ~ 39.5°± 5%
VERTICAL : 64.3°± 5% ~ 22.1°± 5%
- 7-2. ANGULAR FIELD OF VIEW : 1/3"CCD
DIAGONAL : 129.6°± 5% ~ 40.5°± 5%
HORIZONTAL : 98°± 5% ~ 32.4°± 5%
VERTICAL : 71.1°± 5% ~ 24.3°± 5%

(IT IS CHANGEABLE ON EXTERNAL DIMENSION
BY CUSTOMER'S REQUIREMENT.)



①	Brown	Damping (-)	855Ω
②	Red	Damping (+)	
③	Yellow	Drive (+)	190Ω
④	Orange	Drive (-)	

			TOLERANCES	Designed			Title	f=3.0~9.0 mm F/1.2 MEGAPIXEL LENS (CS-MOUNT TYPE)	
			ANGLE 1°/2	Checked					
			X. ± 0.2	Approved					
			.X ± 0.1 .XX ± 0.05						
A4	Scale	N/S		Dwg No.		DATE	2011.11.18	REVISION NO. -03 (2012.01.09)	