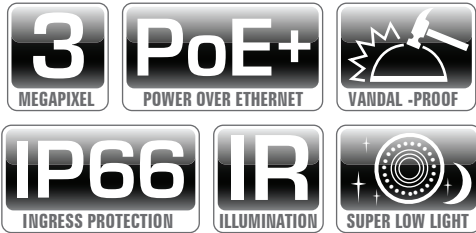


VS-6502 / 6502IR

3.0MP IP Vandal Dome / IR Camera



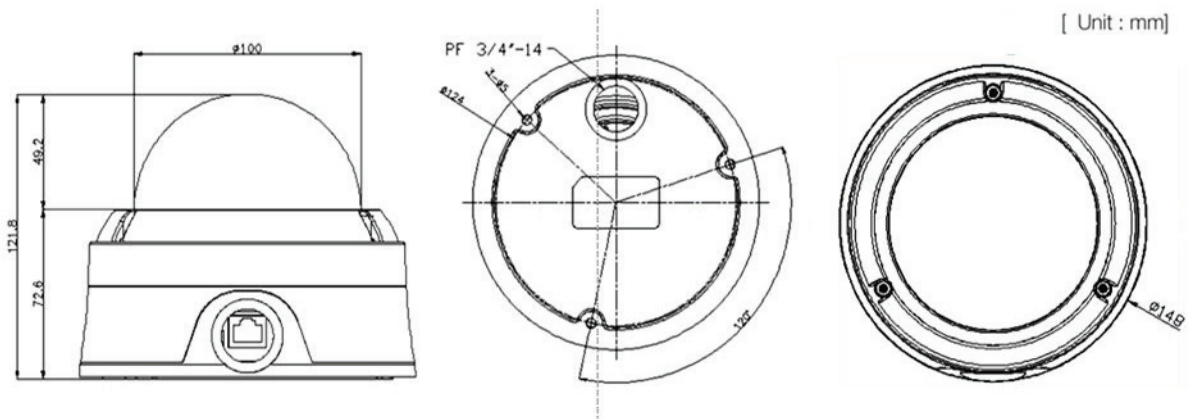
- 3.0MP 1/2.8" Sony CMOS Progressive Scan Sensor
- Max. 15fps @ 2048 x 1536, 30fps @ 1920 x 1080
- Mechanical IR cut filter for True day & night (ICR)
- WDR
- Superior Low Light Performance
- Dual Streaming (H.264/H.264, H.264/MJPEG)
- PoE(Power over Ethernet): 802.3af
- Composite video output
- 3-Axis internal camera bracket
- SD/SDHC slot for local storage
- Compliant with ONVIF, PSIA



VS-6502 Price: \$949.00

VS-6502IR Price: \$999.00

VS-6502 / 6502IR Dimentions



VS-6502 / 6502IR Specifications

Camera	Image sensor	3.0 Megapixel - 1/2.8" Sony CMOS Progressive Scan
	Synchronization	Internal
	Minimum Illumination	0.03 Lux (color), 0.02 Lux (B/W) with 50IRE
	Electronic shutter speed	1/30 ~ 1 sec (B/W) / 1/30 ~ 1/10,000 sec (color)
Image Enhancement	Automatic gain control	Auto, Manual
	AE control	Auto, Manual
	White balance mode	AWB
	True Day & Night (TDN)	Auto, Day, Night, Threshold (Night to Day)
	WDR (Wide Dynamic Range)	Supports
	Digital noise reduction (filter)	On/Off
	Flickerless (Frequency mode)	50Hz, 60Hz
	On-screen display	English
	Motion detection	Supports
	Image adjustment	Brightness
	Flip mode	Horizontal, Vertical
Lens	Lens type	Auto DC
	Digital zoom	Supports
	Focal length	f=3 ~ 9mm, auto iris varifocal lens, IR cut filter
	Maximum aperture ratio	F1.4
	Angle of view	Horizontal: 92.9(wide) ~ 31.7(tele), Vertical: 67.9(wide) ~ 23.7(tele)
	IR LED	VS-6502 - Not available, VS-6502IR - 470nm, 24Pcs
Video	Video compression	H.264 HP Level 4
	Frame rate	15fps (2048x1536), 30fps (1920x1080)
	Bitrate	Pri: 32Kbps ~ 10Mbps, Sec: 32Kbps ~ 2Mbps
	Resolutions (Max)	2048 x 1536
	Video streaming	Primary: H.264, Secondary: H.264, MJPEG
	Video output	Composite
	Backup	SD card, FTP
Audio	Audio compression	G.711, AAC
	Audio sampling rate	G.711: 8KHz, AAC: 32KHz
	Audio input/output	1 x line-in (stereo), 1 x line-out (stereo)
Integration Interface	API	SDK, PSIA, OnVIF
	Serial connectors	1 x RS-485
	Sensor input	1 x NO Contact
	Alarm output	1 x NO Contact
Network	Network interface	Ethernet 10/100Base-T (RJ-45)
	Network protocol	TCP/IP, UDP, Multicast, DHCP, SMTP, HTTP, HTTPS, SNMP, RTP, RTSP, UPnP, WS-Discovery, Zero Configuration, DDNS
General	Ingress protection rating	IP 66
	Certifications	CE, FCC
	Power supply	DC 12V/0.5A, PoE (Power over Ethernet): 802.3af
	Operating temperature	-10°C ~ 50°C (14°F ~ 122°F)
	Dimension	100Ø x 49.2 for Vandal Dome, 148Ø x 72.6 for Base (121.8 H)mm 3.94Ø x 1.94 for Vandal Dome, 5.83Ø x 2.86 for Base (4.8 H)in
	Weight	1,012g / 2.23lb

Features, specifications, pricing, and dimensions are subject to change without notice.

Physical appearance of products may vary slightly from images shown on this document. Please visit our website for updates and information.